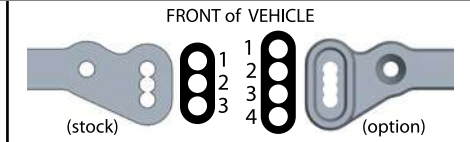


Name: _____ Date: _____ Event: _____

Track: Indoor Outdoor Size: Small Medium Large Traction: Low Med High

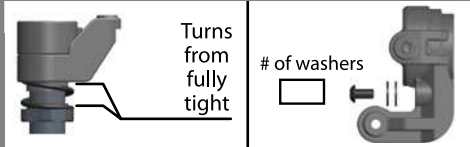
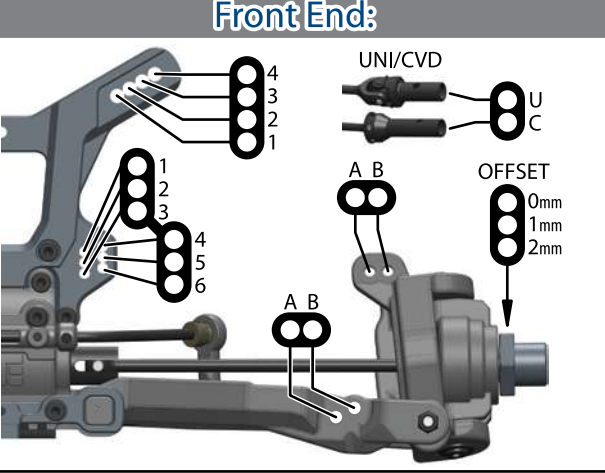
Surface: Smooth Bumpy Rutted Type: Loose/Loamy Hard Pack Blue Groove Clay

Bumpsteer/Ackerman/Servo Saver/Steering Stop: _____ Condition: Dusty Dry Wet Muddy



Shocks:

	FRONT	REAR
OIL/ BRAND:		
PISTON		
SPRING		
REBOUND	%	%
STD/EMUL/VENT		
NOTES:		



Tires / Wheels:

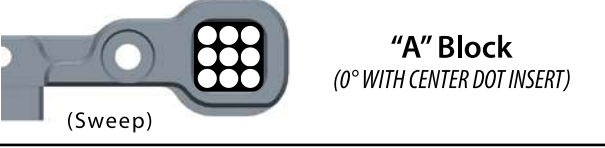
	FRONT	REAR
BRAND/TREAD		
COMPOUND		
INSERT		
WHEEL		
NOTES:		

Suspension:

	FRONT	REAR
RIDE HEIGHT		
CAMBER		
CASTER		
SWEEP		
KICK UP		
ANTI-SQUAT		
TOE (in/out)		
SWAY BAR		
SHOCK LENGTH (DROOP)		

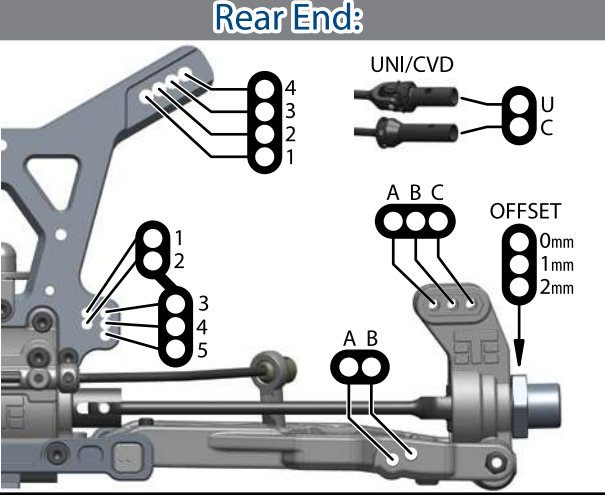
Differential Oil:

	FRONT	CENTER	REAR



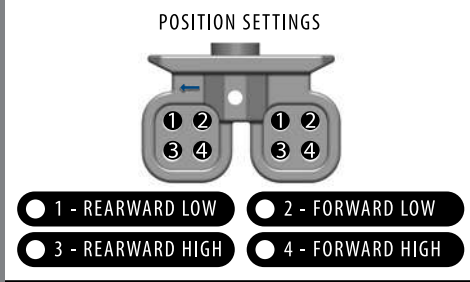
Equipment:

ENGINE/ PIPE:	/
FUEL/ PLUG:	/
RX BATT:	
SERVOS:	(steering) / (throttle/brake)



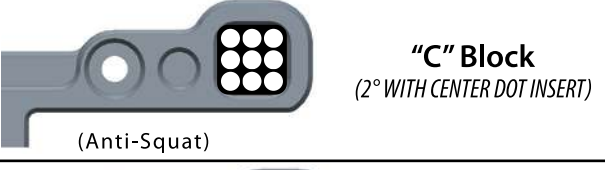
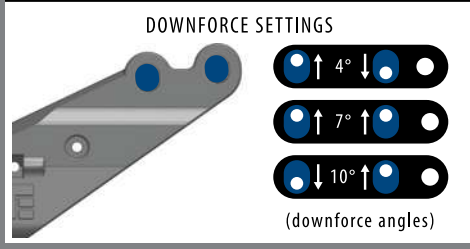
Body/Wing:

BODY MAKE	
WING MAKE	



Drivetrain:

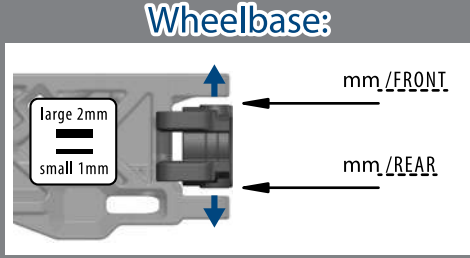
CLUTCH/SPUR:	/	(teeth)
CLUTCH SHOES:		
CLUTCH SPRINGS:		
BRAKE BIAS:	(front) %	(rear) %



Chassis Braces:

Center Diff Left Rear R Rear Short R Rear Long

(front brace is always used)



Notes:

