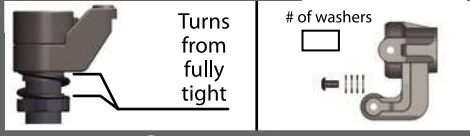
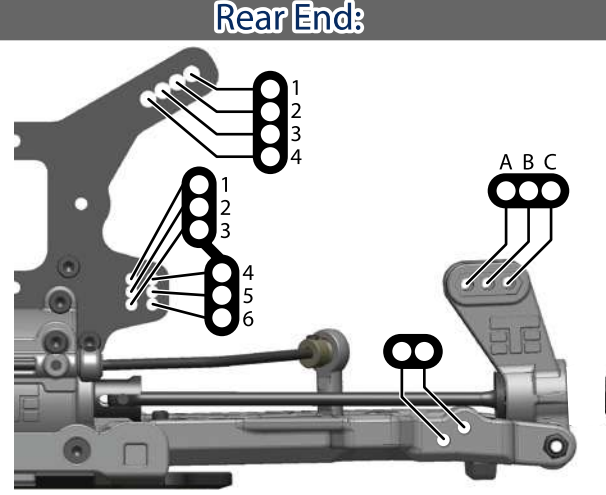
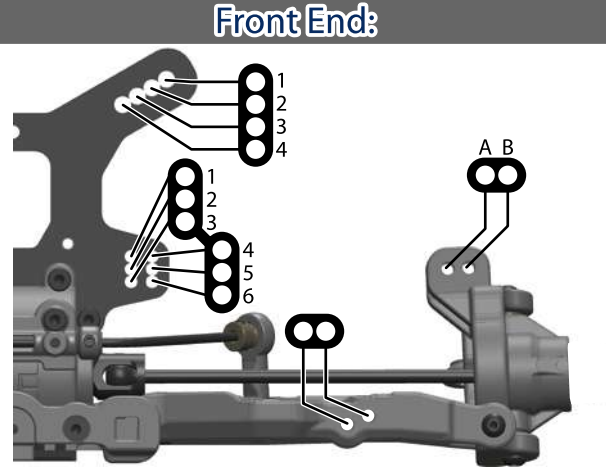
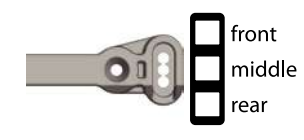


Name: \_\_\_\_\_ Date: \_\_\_\_\_ Event: \_\_\_\_\_

Track: Indoor  Outdoor  Size: Small  Medium  Large  Traction: Low  Med  High

Surface: Smooth  Bumpy  Rutted  Type: Loose/Loamy  Hard Pack  Blue Groove  Clay

Bumpsteer/Ackerman/Servo Saver: \_\_\_\_\_ Condition: Dusty  Dry  Wet  Muddy

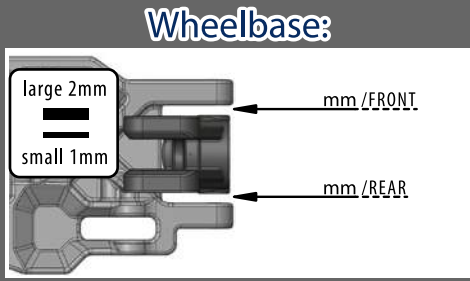
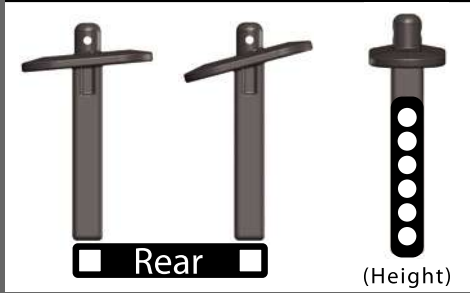
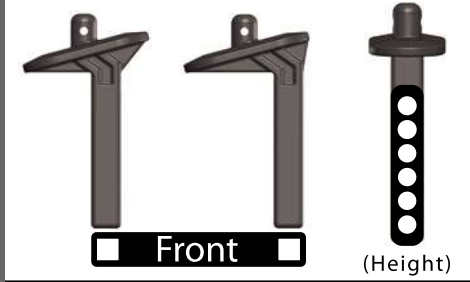


### Suspension:

	FRONT	REAR
RIDE HEIGHT		
CAMBER		
CASTER		
SWEEP		
KICK UP		
ANTI-SQUAT		
TOE (in/out)		
SWAY BAR		
SHOCK LENGTH (DROOP)		

### Body/Mounts:

BODY MAKE	



### Shocks:

	FRONT	REAR
OIL		
BRAND		
PISTON		
SPRING		
REBOUND	%	%
STD/EMUL/VENT		
NOTES:		

### Tires /Wheels:

	FRONT	REAR
BRAND/TREAD		
COMPOUND		
INSERT		
WHEEL		
NOTES:		

### Differential Oil:

FRONT	CENTER	REAR

### Electronics:

ESC:	
Battery:	
Motor:	
Radio:	
Servo:	

### Drivetrain:

PINION SIZE		(teeth)
-------------	--	---------

### Chassis Braces:

Front  Middle  Rear

(front brace is always recommended)

### Notes:

\_\_\_\_\_

\_\_\_\_\_

\_\_\_\_\_