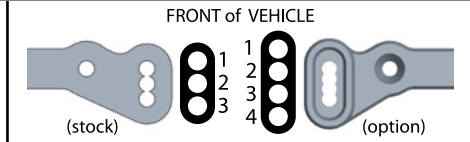


Name: \_\_\_\_\_ Date: \_\_\_\_\_ Event: \_\_\_\_\_

Track: Indoor  Outdoor  Size: Small  Medium  Large  Traction: Low  Med  High

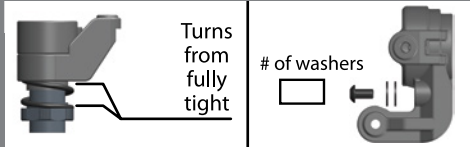
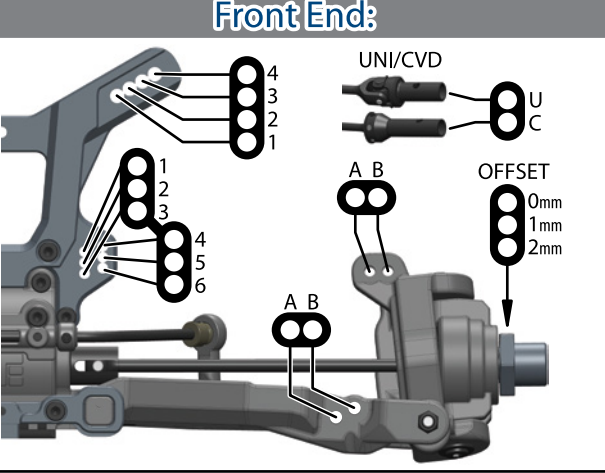
Surface: Smooth  Bumpy  Rutted  Type: Loose/Loamy  Hard Pack  Blue Groove  Clay

Bumpsteer/Ackerman/Servo Saver/Steering Stop: \_\_\_\_\_ Condition: Dusty  Dry  Wet  Muddy



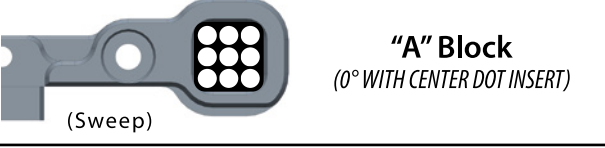
### Shocks:

	FRONT	REAR
OIL/ BRAND:		
PISTON		
SPRING		
REBOUND	%	%
STD/EMUL/VENT		
NOTES:		



### Tires / Wheels:

	FRONT	REAR
BRAND/TREAD		
COMPOUND		
INSERT		
WHEEL		
NOTES:		

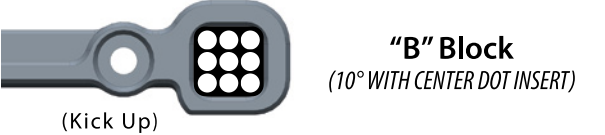


### Suspension:

	FRONT	REAR
RIDE HEIGHT		
CAMBER		
CASTER		
SWEEP		
KICK UP		
ANTI-SQUAT		
TOE (in/out)		
SWAY BAR		
SHOCK LENGTH (DROOP)		

### Differential Oil:

	FRONT	CENTER	REAR

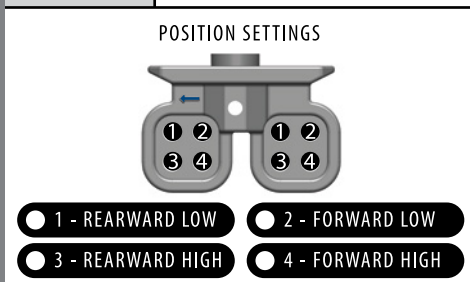
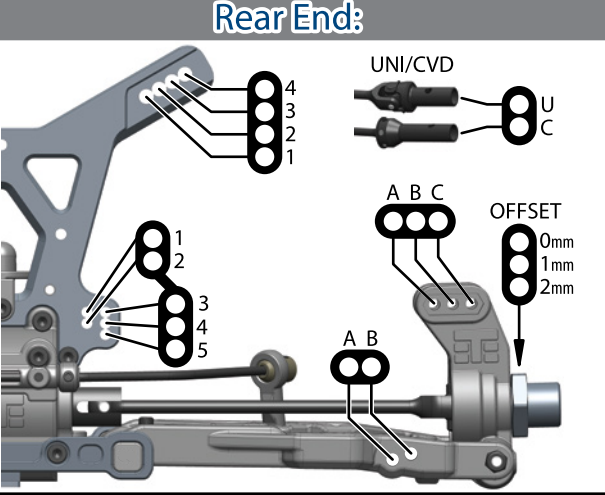


### Body/Wing:

BODY MAKE	
WING MAKE	

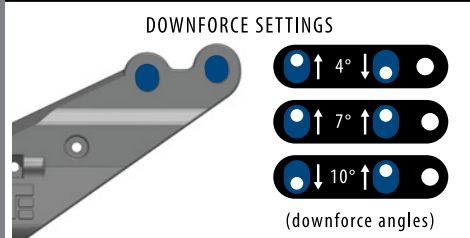
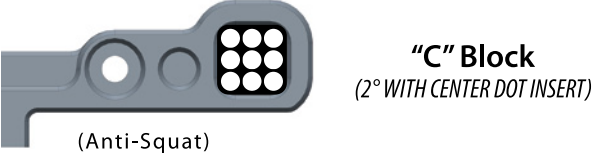
### Equipment:

ENGINE/ PIPE:	/
FUEL/ PLUG:	/
RX BATT:	
SERVOS:	(steering) / (throttle/brake)



### Drivetrain:

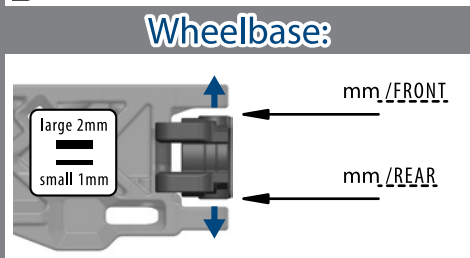
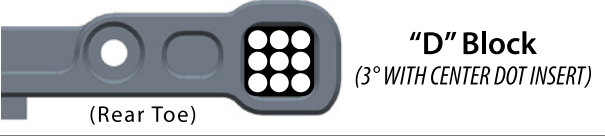
CLUTCH/SPUR:	/	(teeth)
CLUTCH SHOES:		
CLUTCH SPRINGS:		
BRAKE BIAS:	(front) %	(rear) %



### Chassis Braces:

Center Diff  Left Rear  R Rear Short  R Rear Long

(front brace is always used)



### Notes: